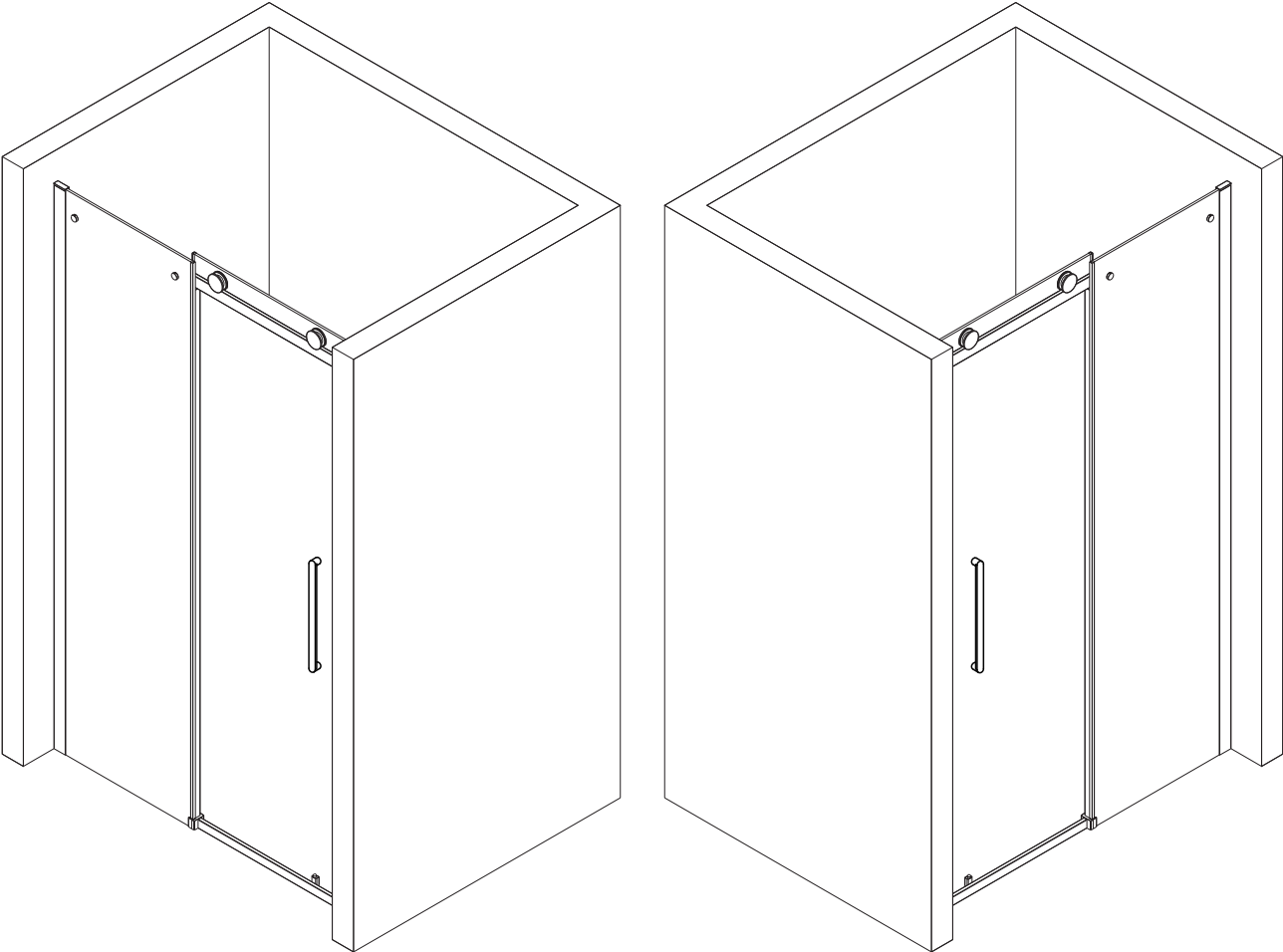
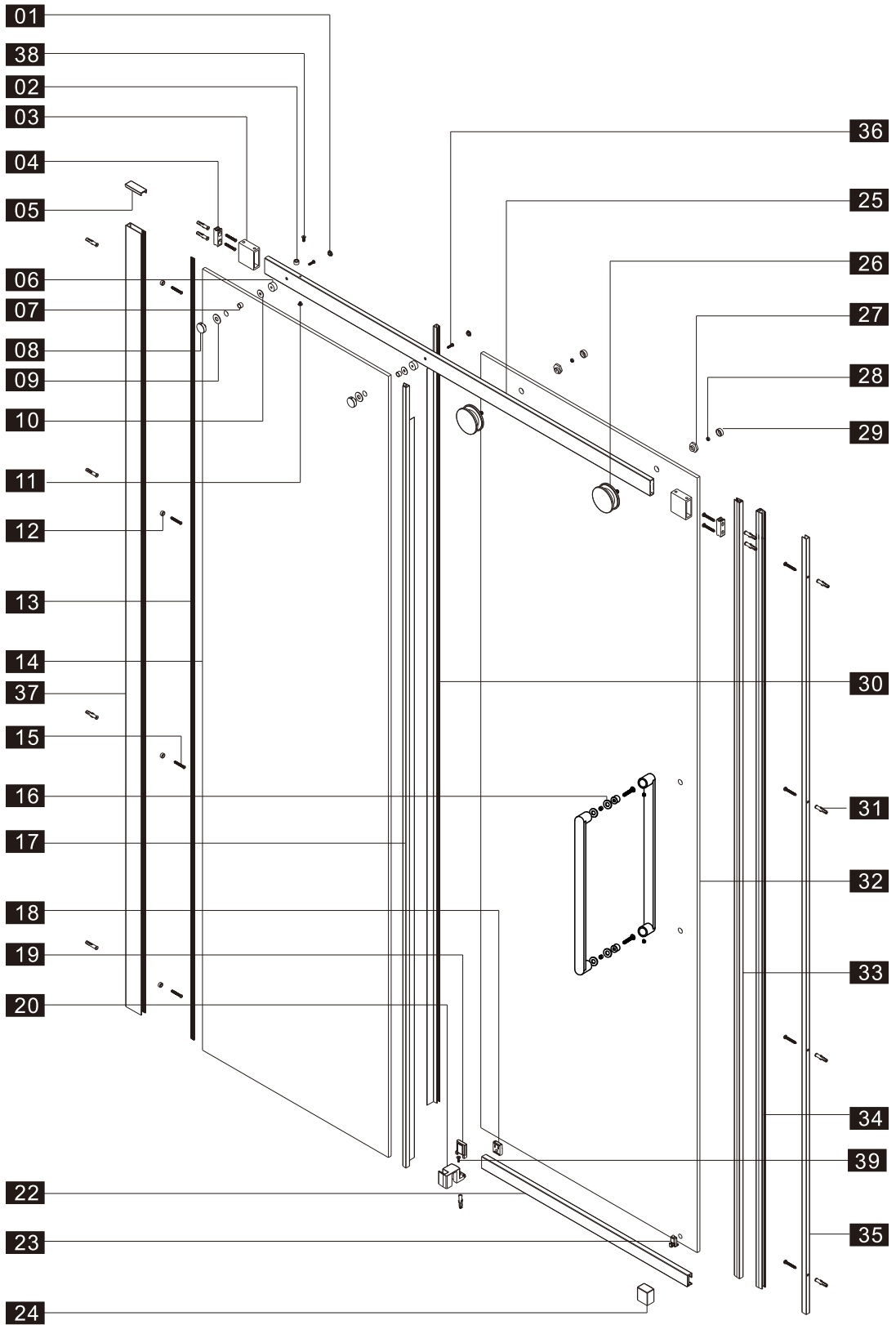


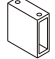
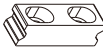
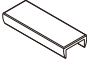








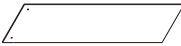




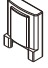
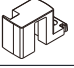
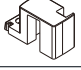




OBZD 2








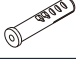






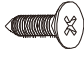



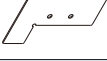





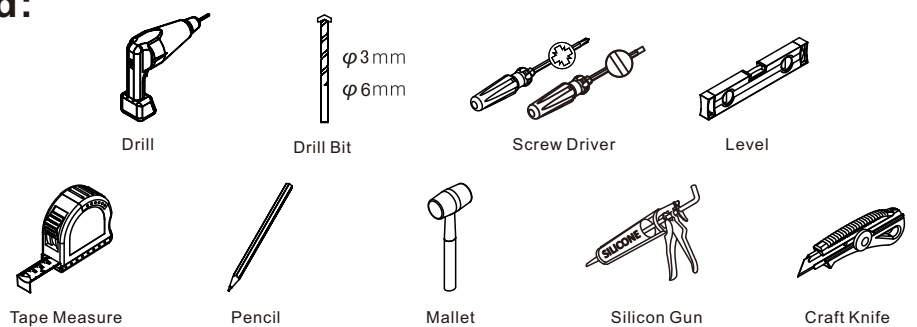
Parts List

Part Number	Image	Size(mm)	Quantity	Checked
01			2	
02			1	
03			2	
04			2	
05			1	
06			2	
07			2	
08			2	
09			2	
10			2	
11			1	
12			4	
13			1	
14			1	
15		ST3.9X35	12	
16			1	
17			1	
18			1	
19			1	
20			1	
21			1	
22			1	
23			1	

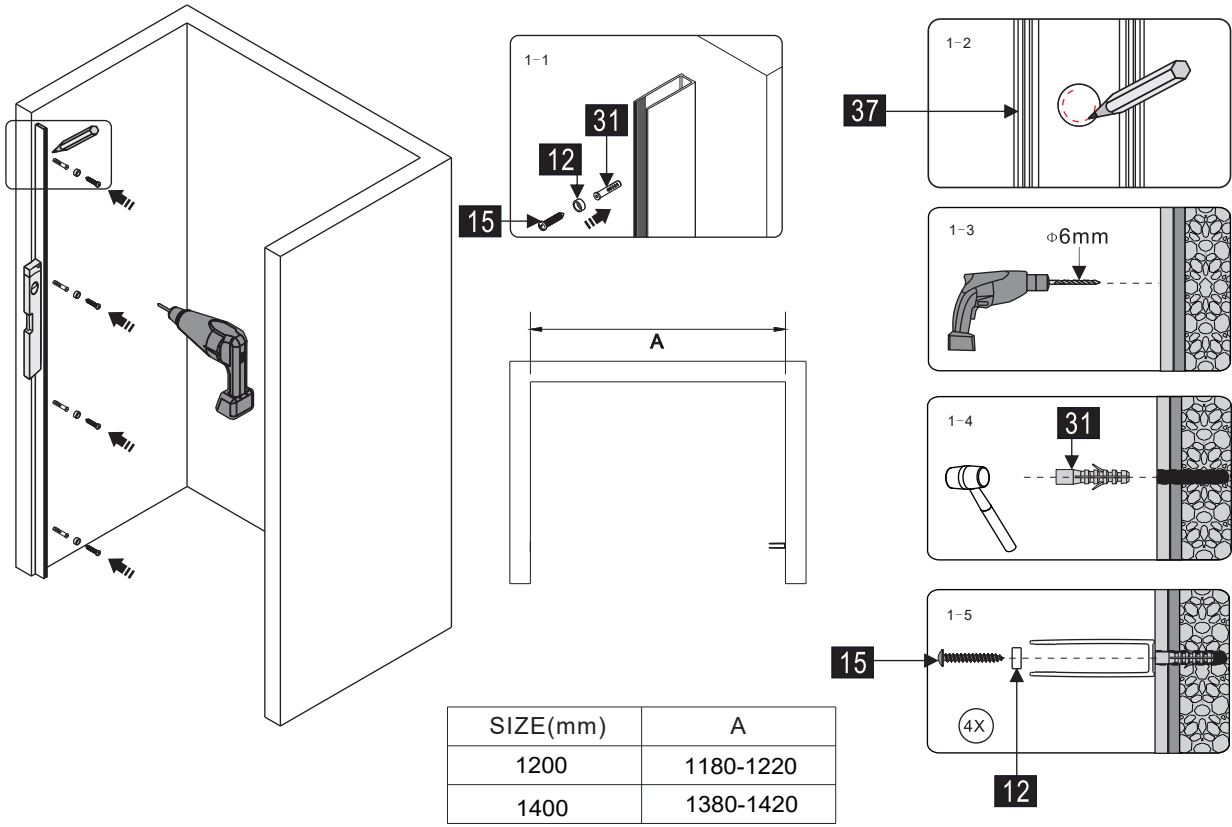
Parts List

Part Number	Image	Size(mm)	Quantity	Checked
24			1	
25			1	
26			2	
27			2	
28			2	
29			2	
30			1	
31			13	
32			1	
33			1	
34			1	
35			1	
36		M5X20	2	
37			1	
38		ST3.5X13	1	
39		ST3.9X35	1	
40			2	
41		2.5mm	1	
42			1	
43		3mm	1	

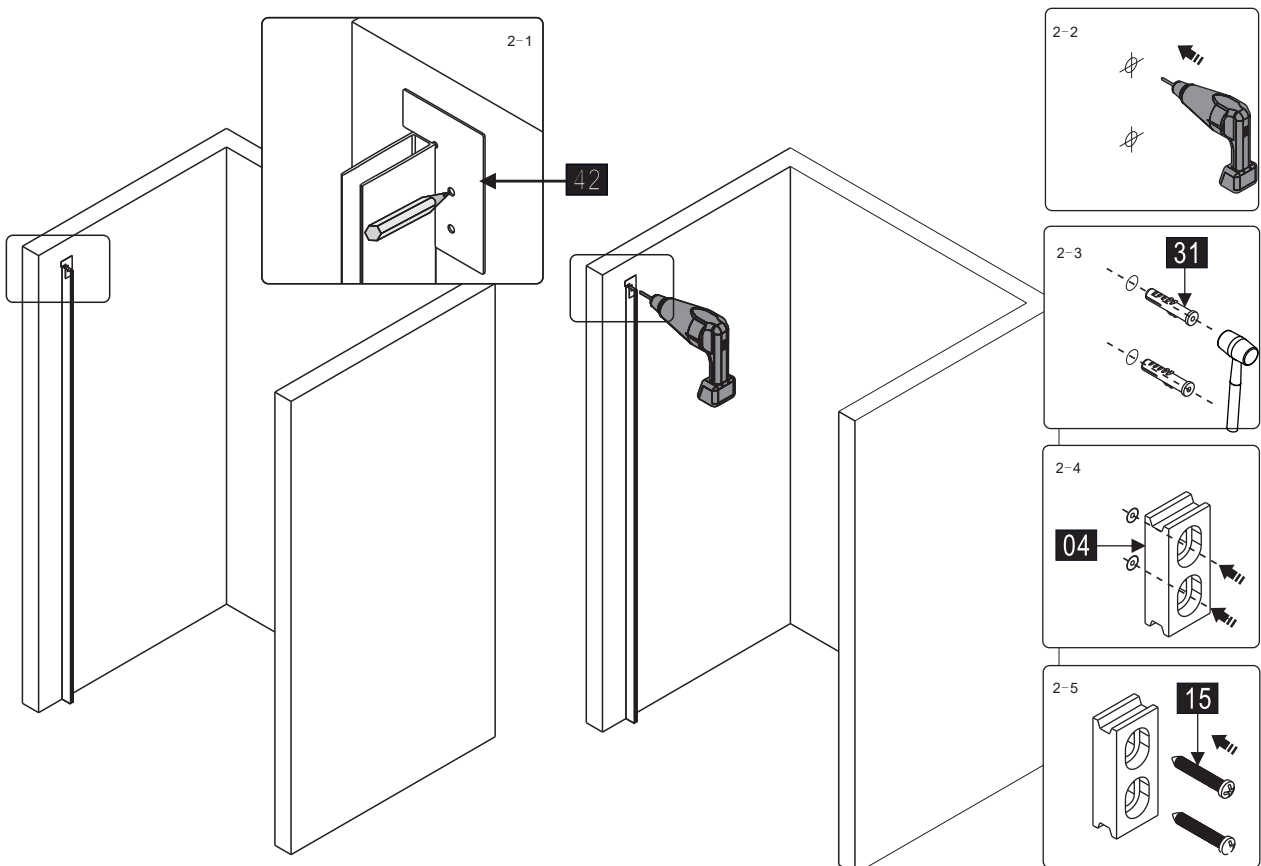
Tools that may be required:

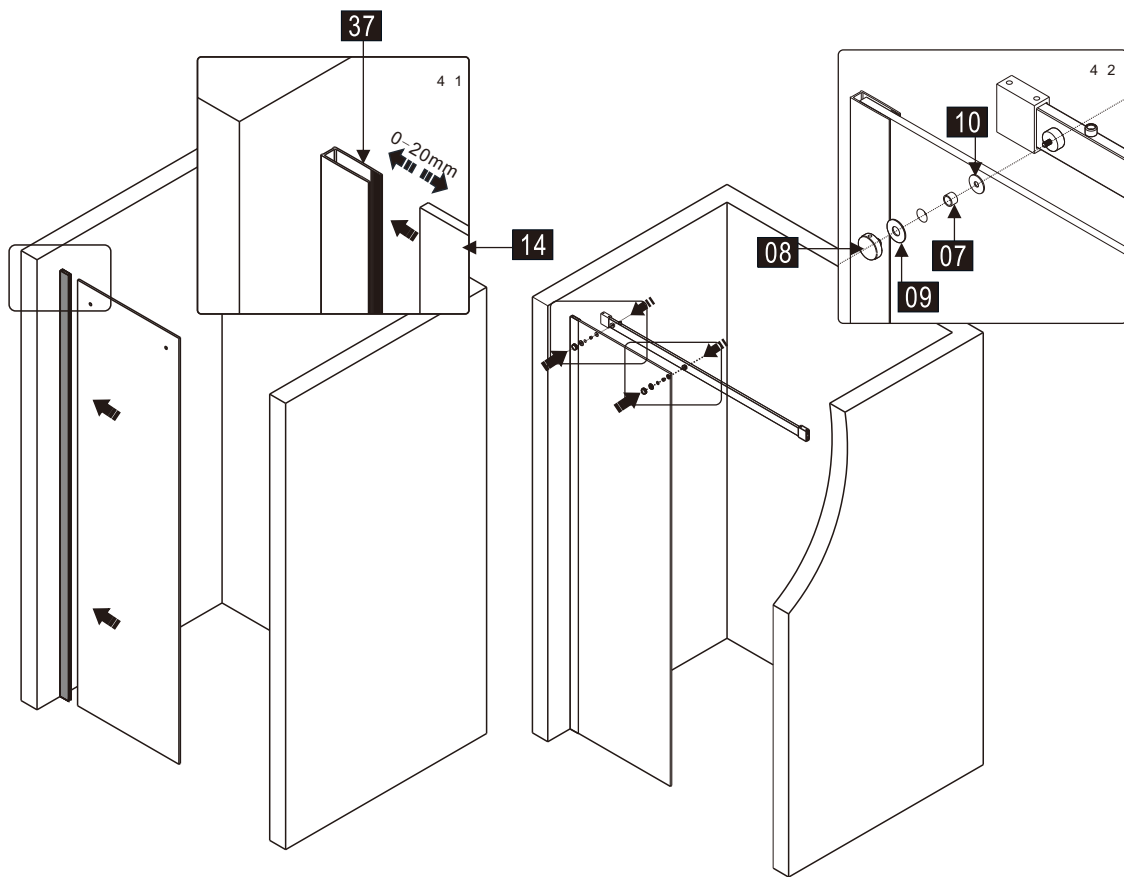
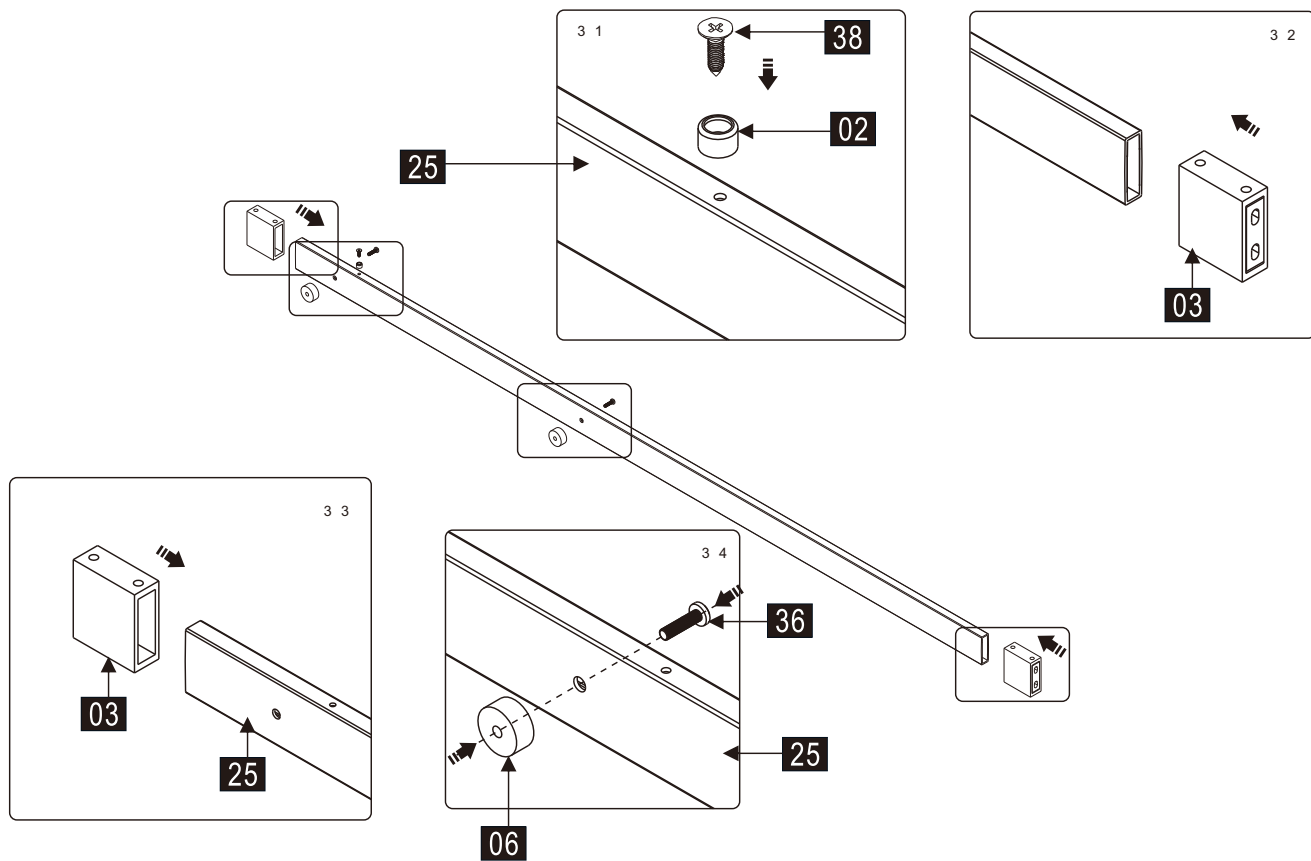


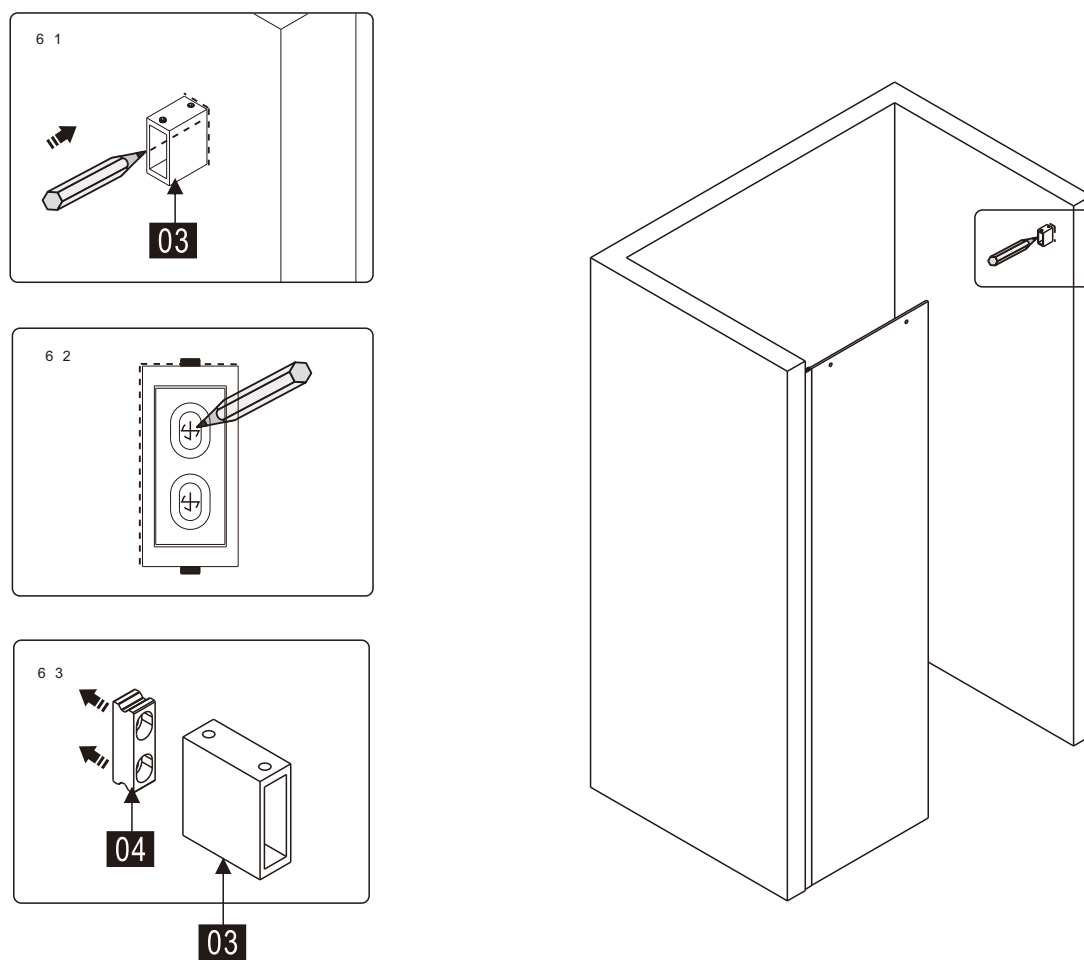
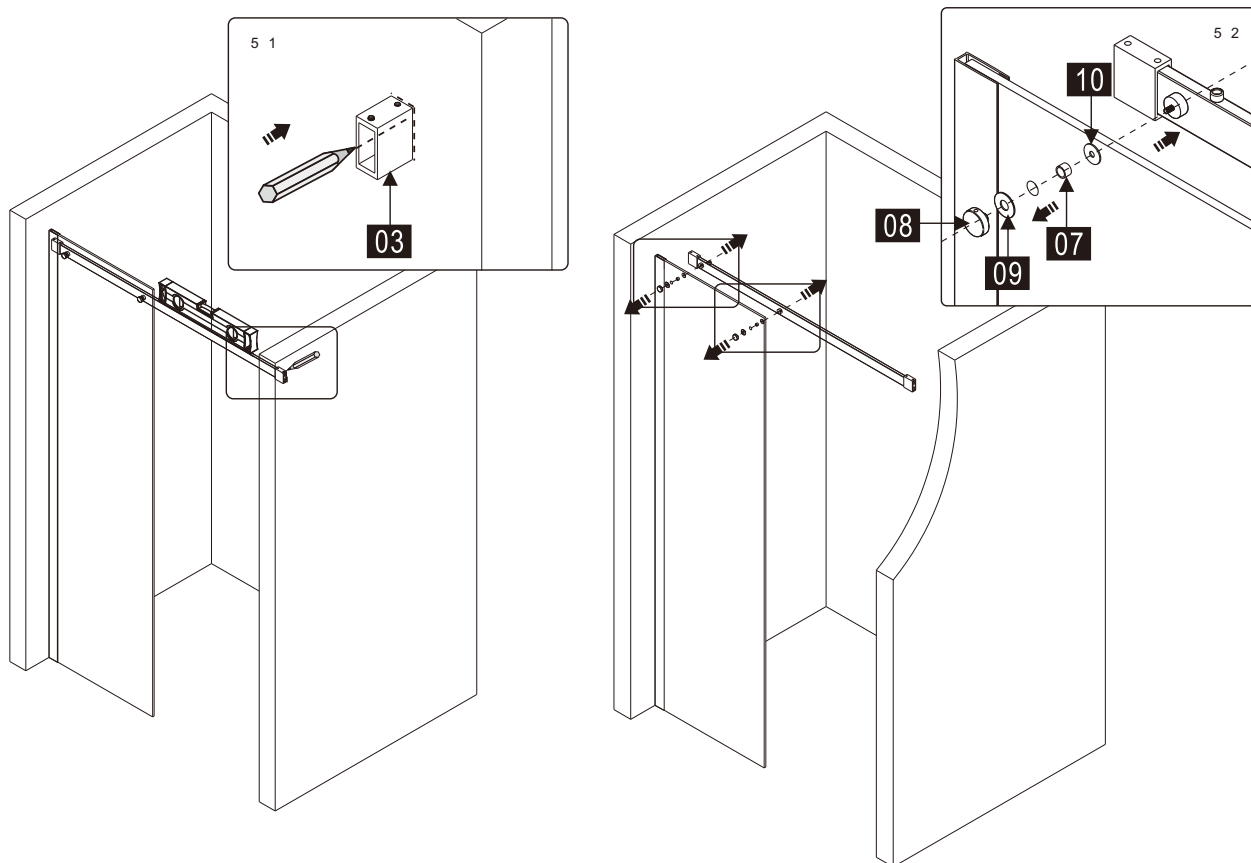
1

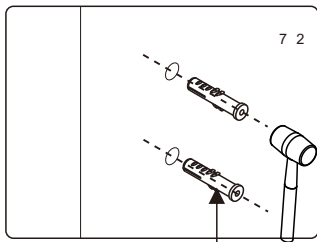
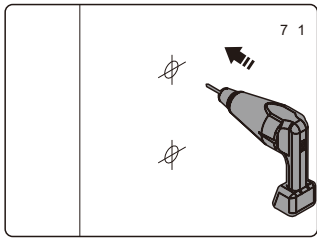


2

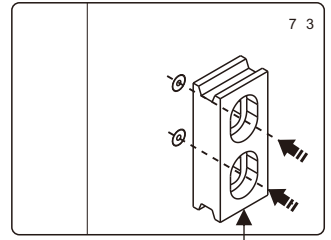
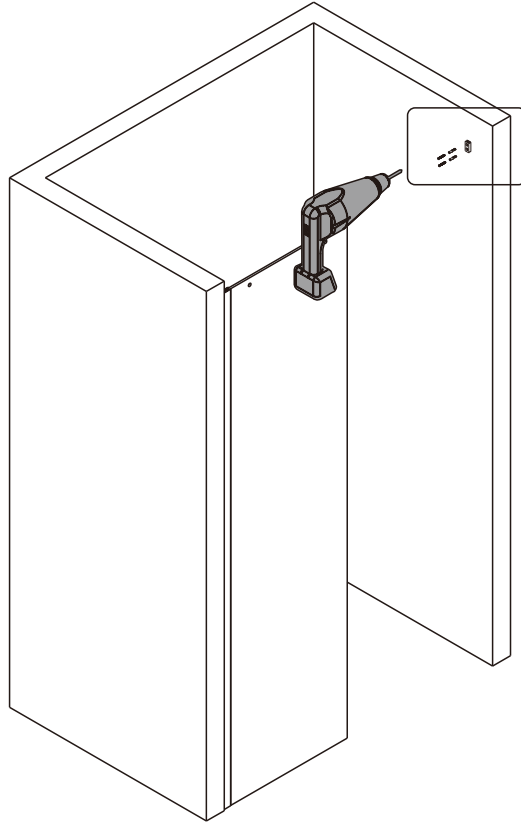




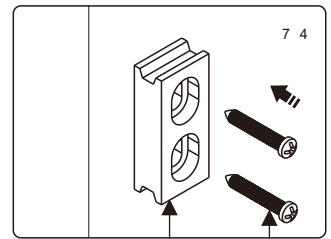




31

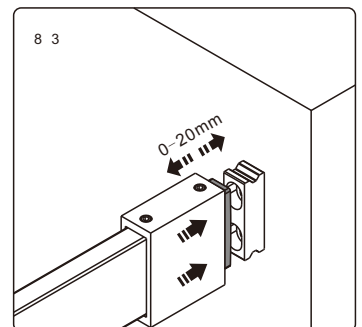
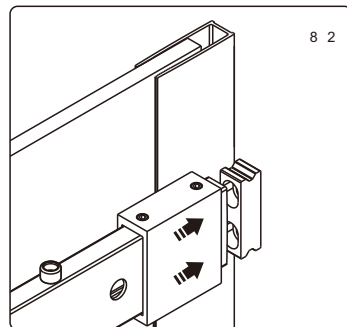
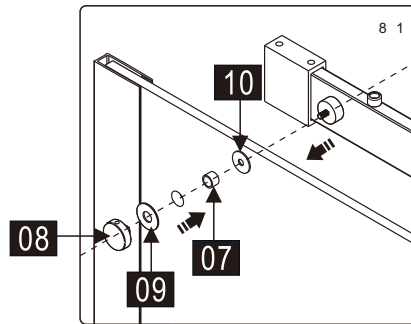
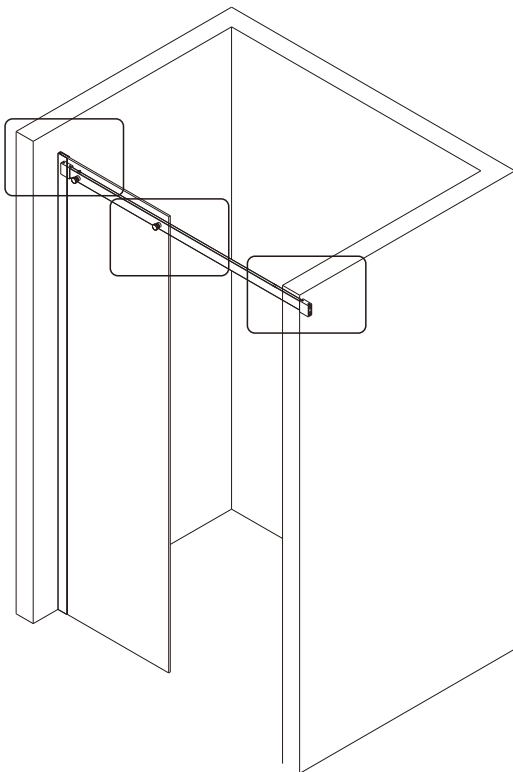


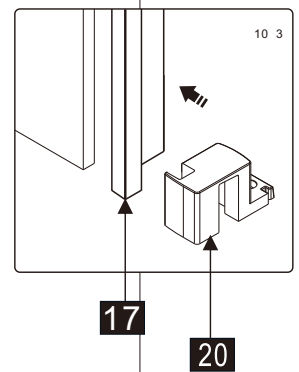
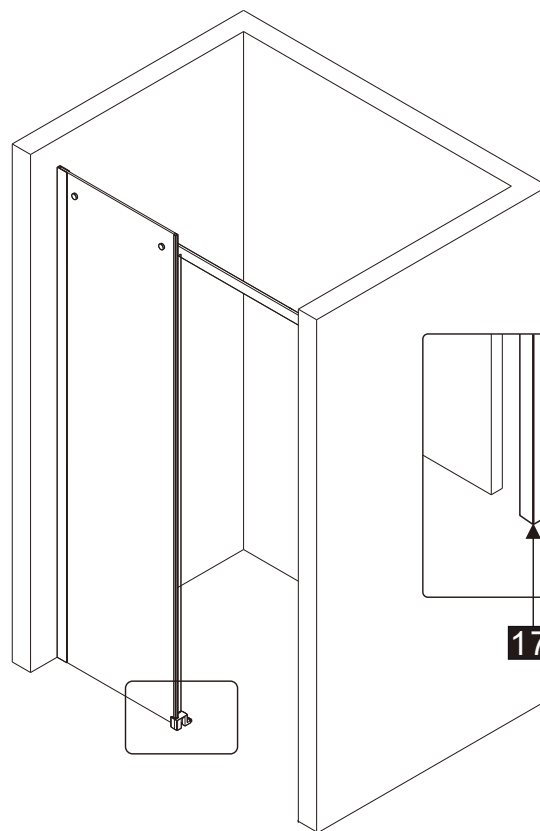
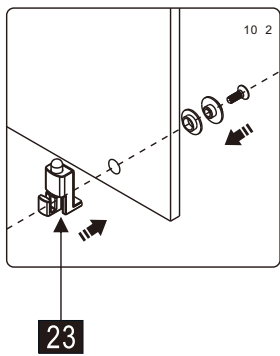
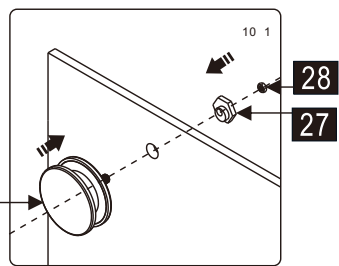
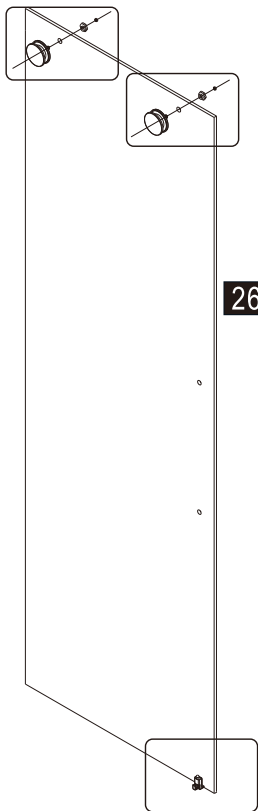
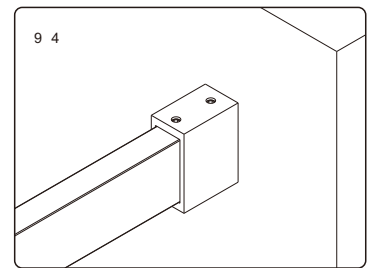
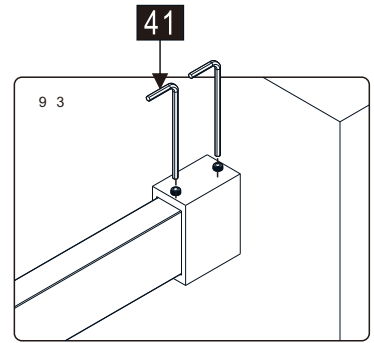
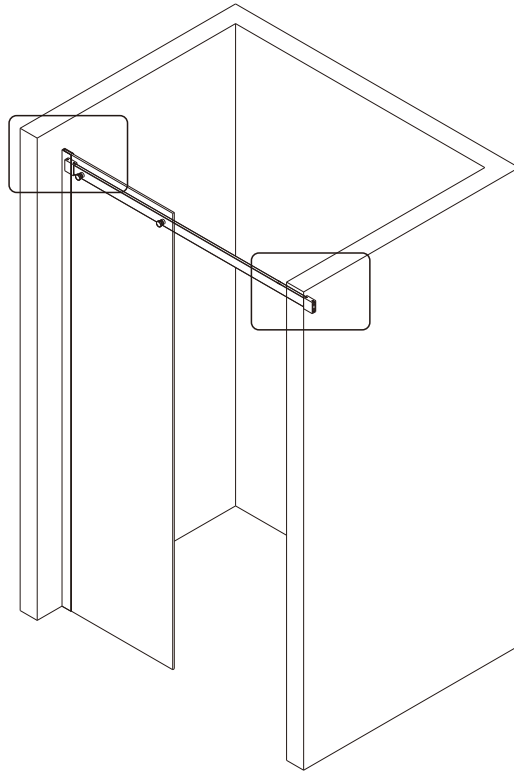
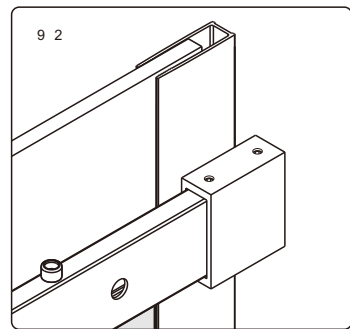
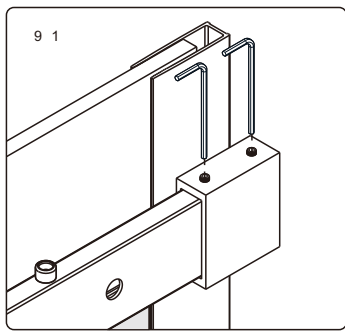
04

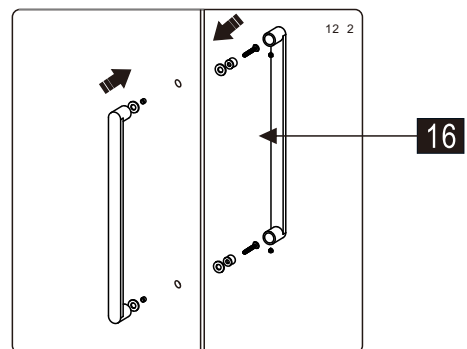
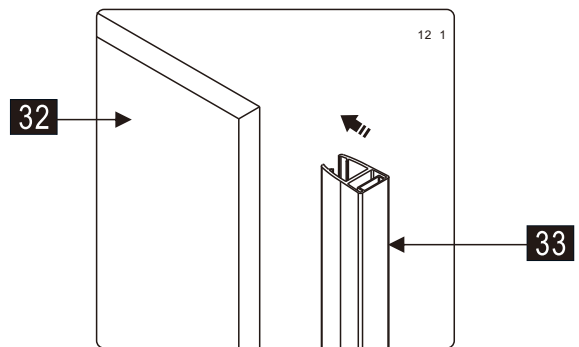
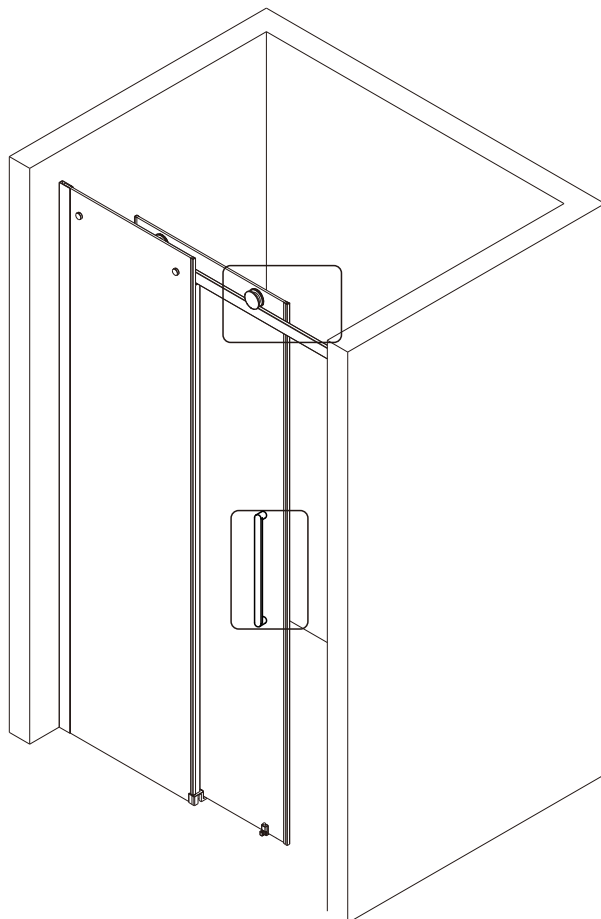
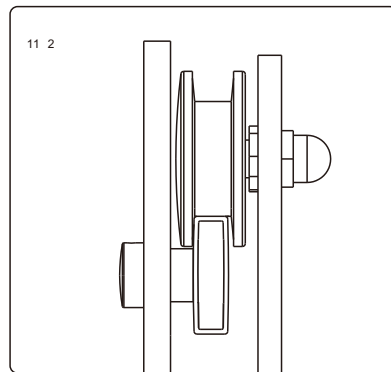
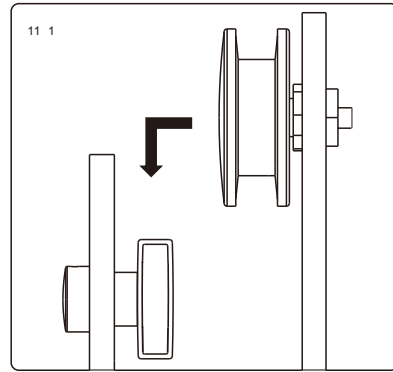
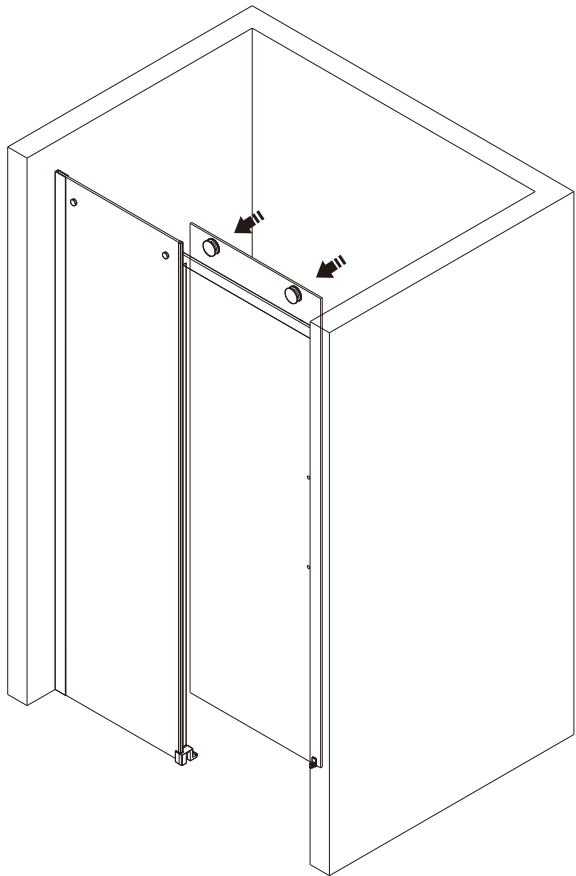


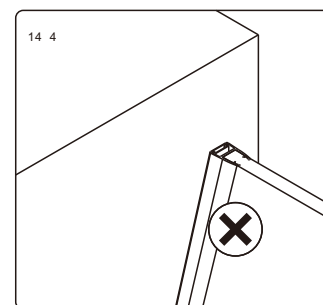
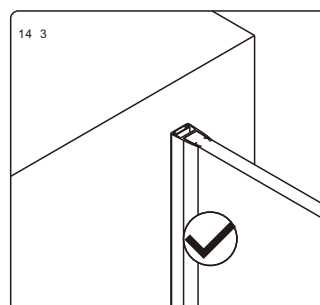
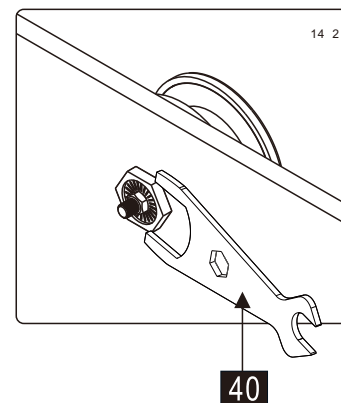
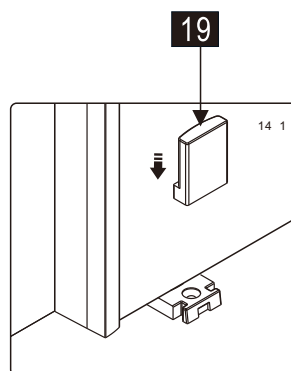
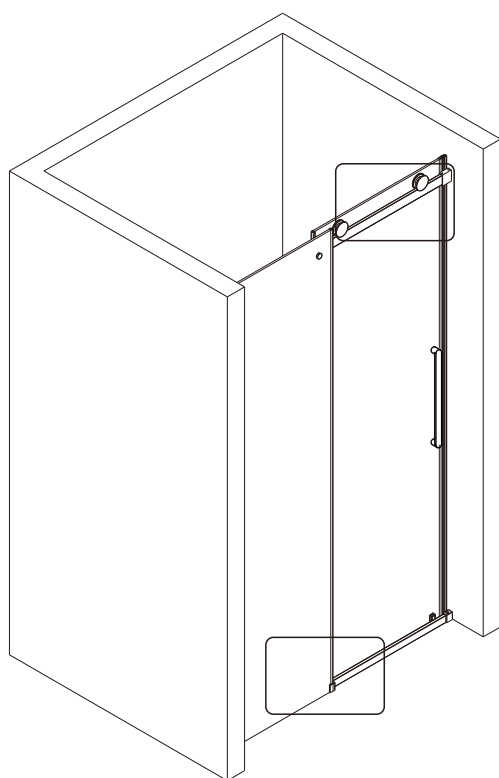
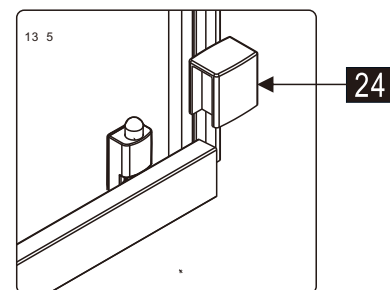
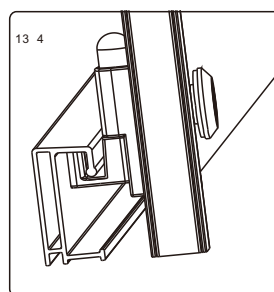
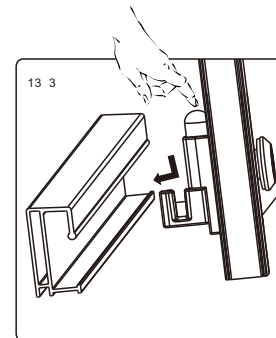
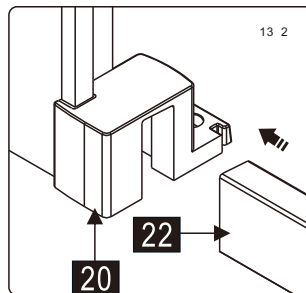
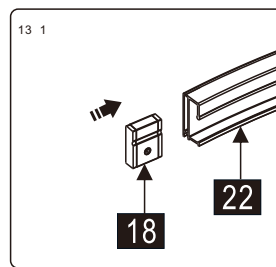
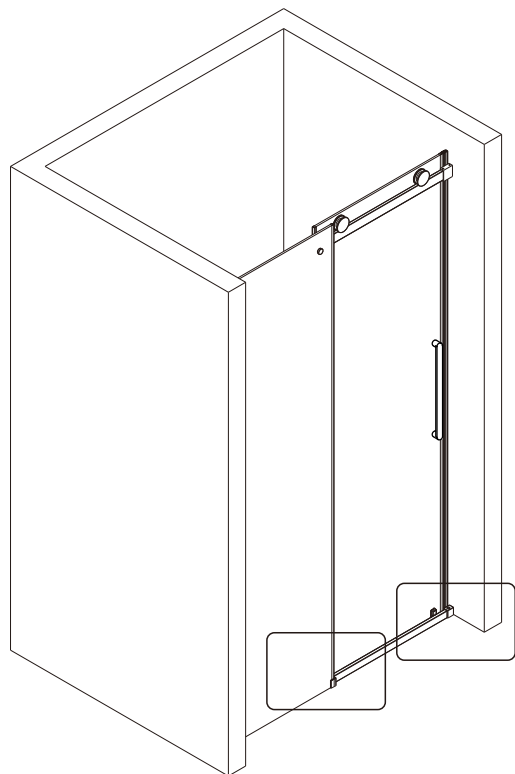
04

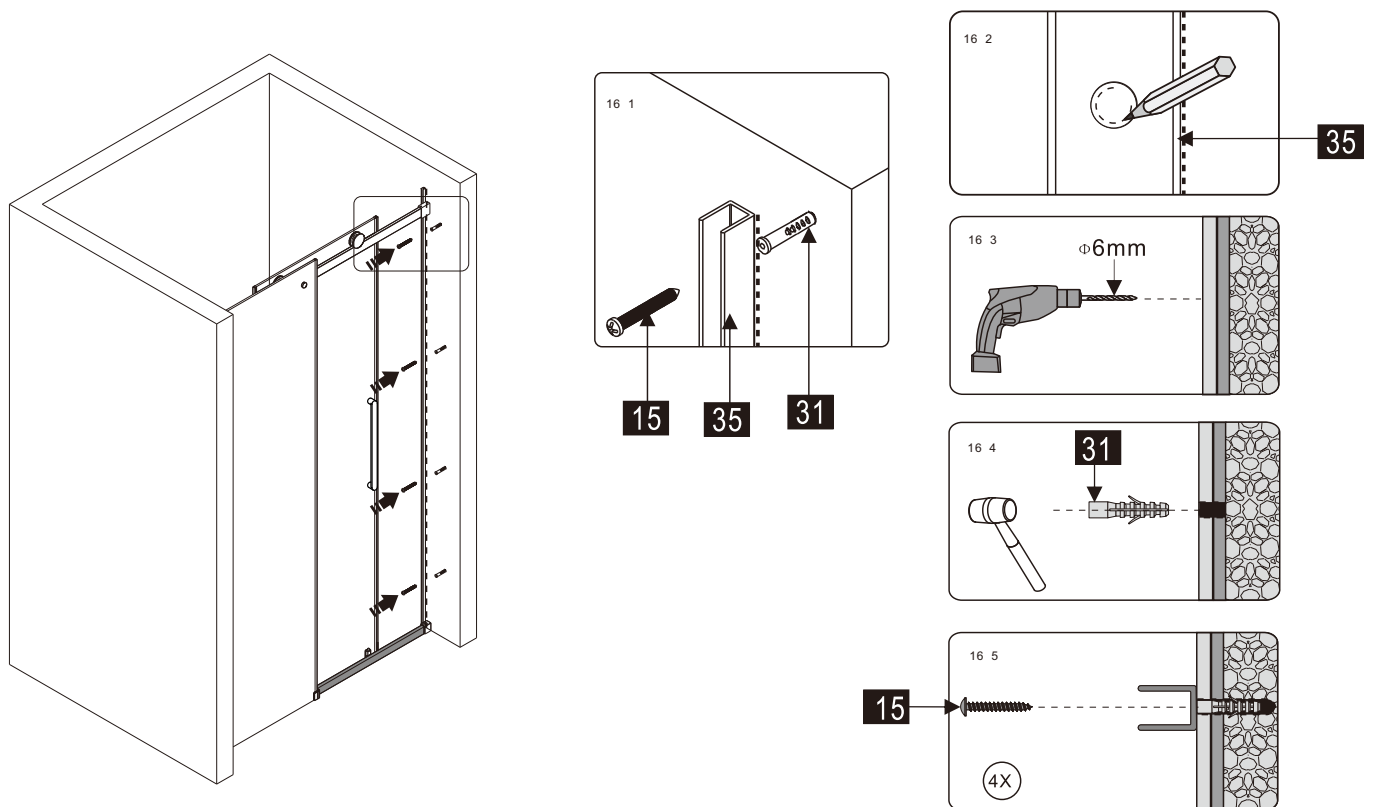
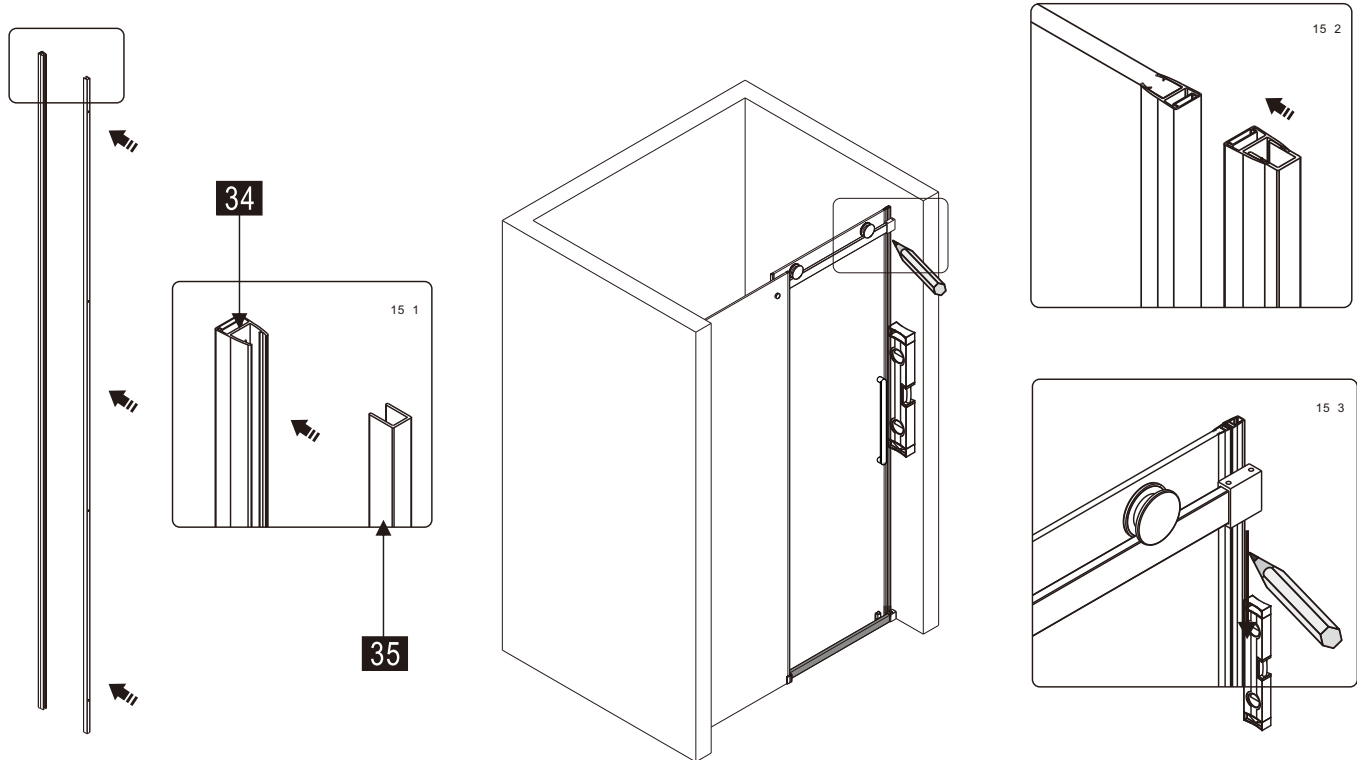
15

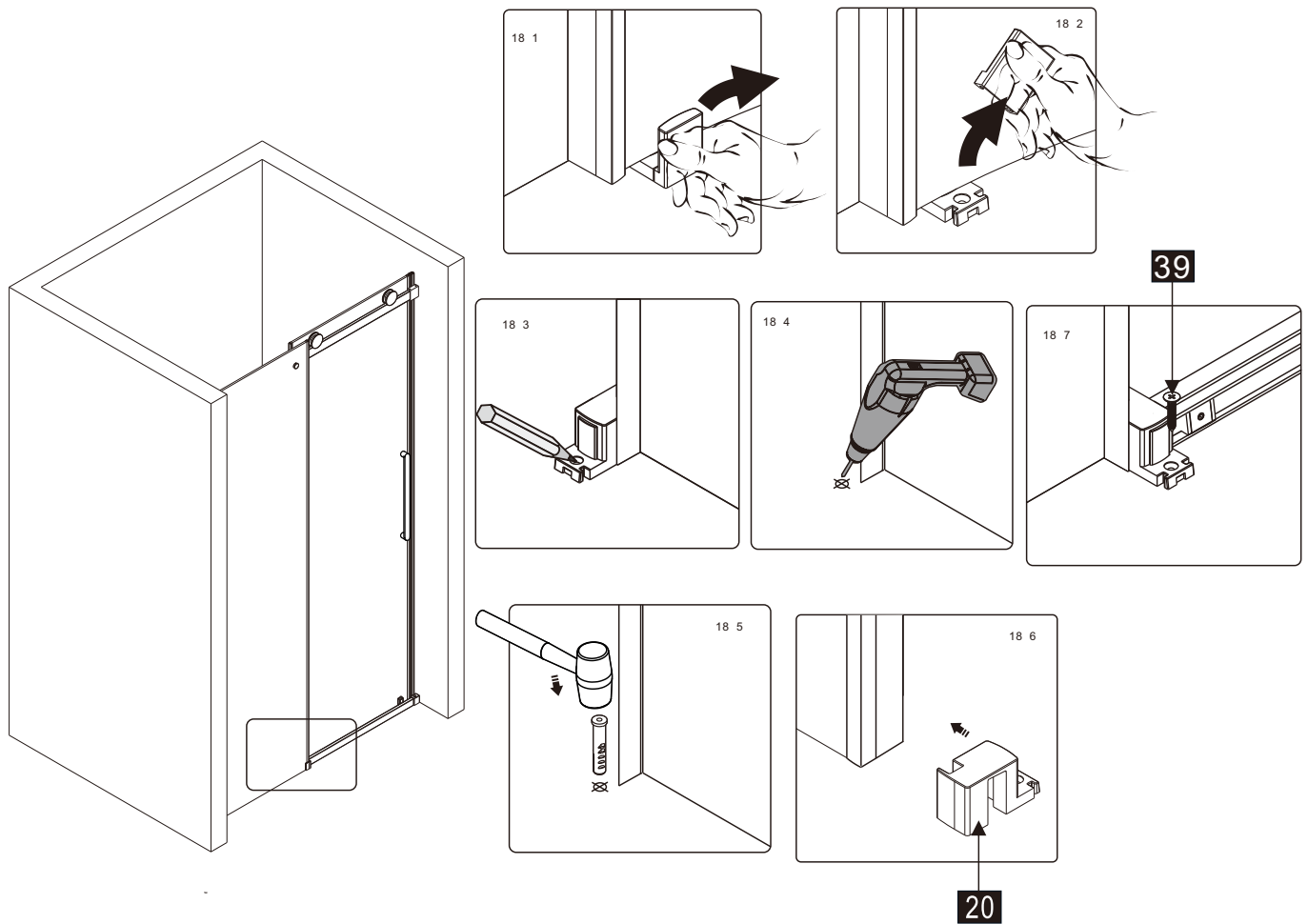
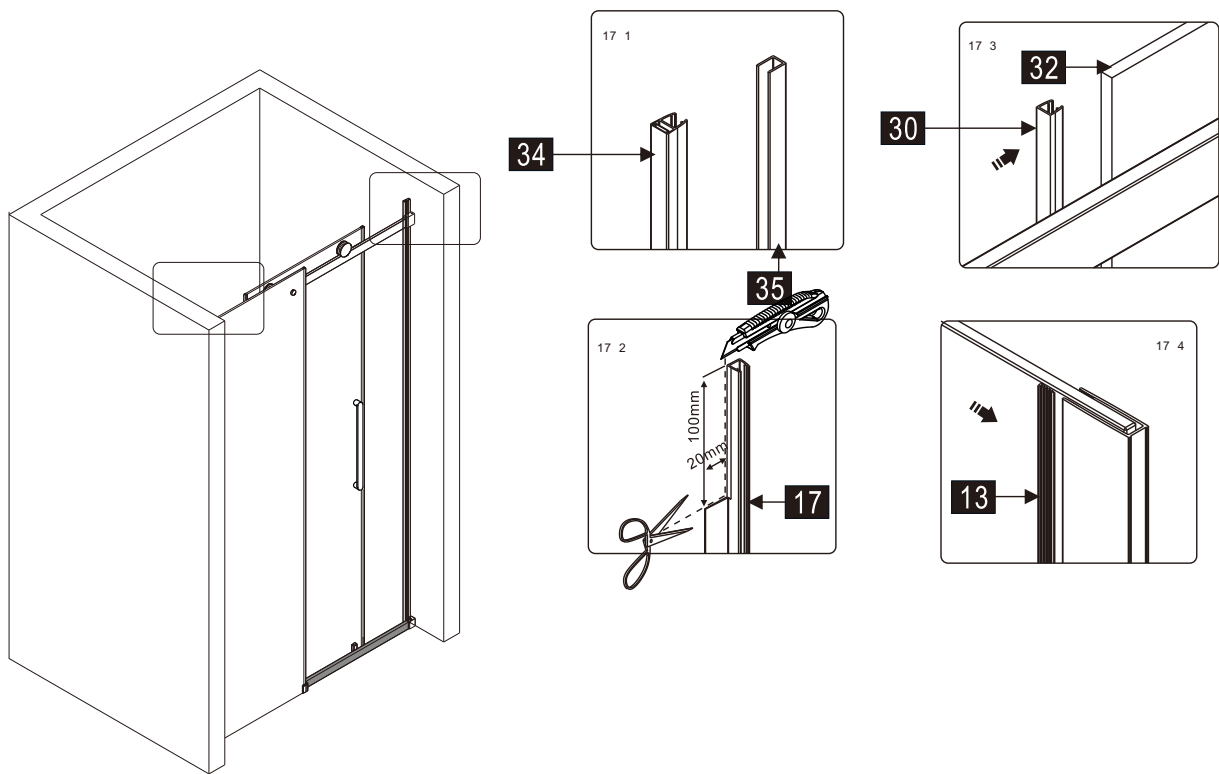


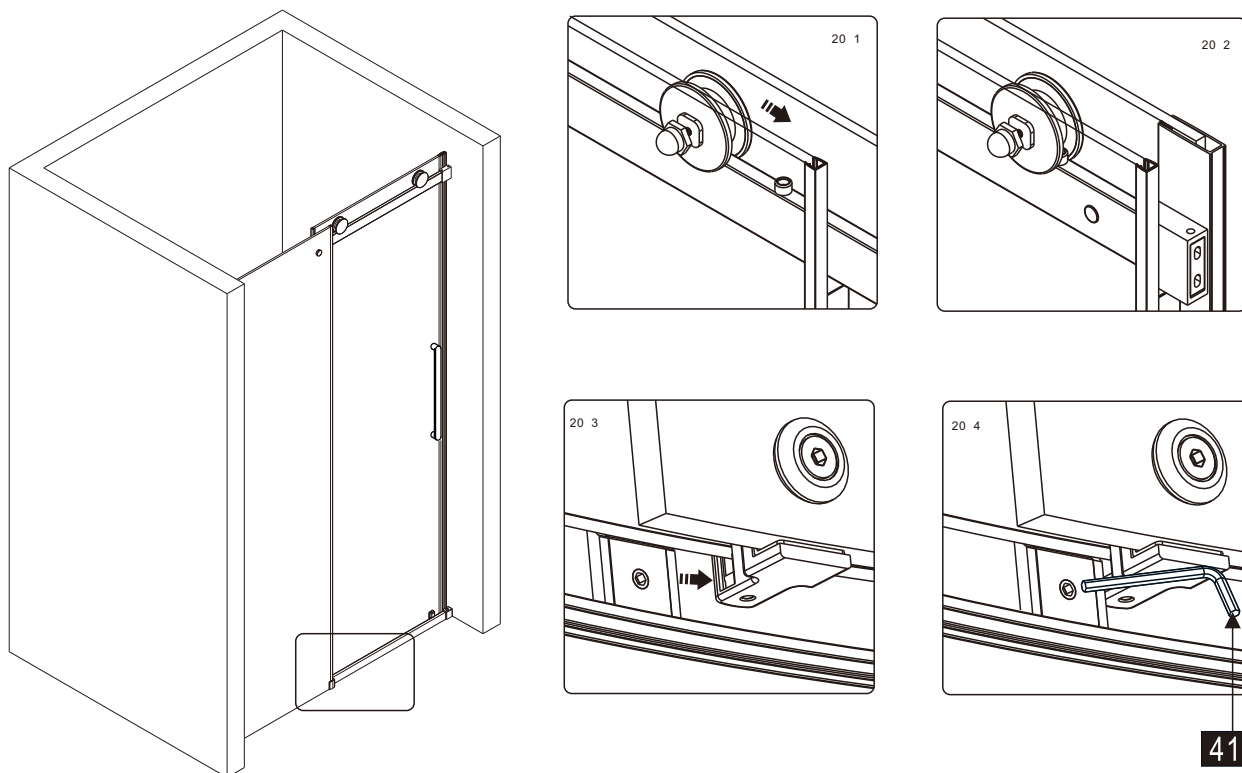
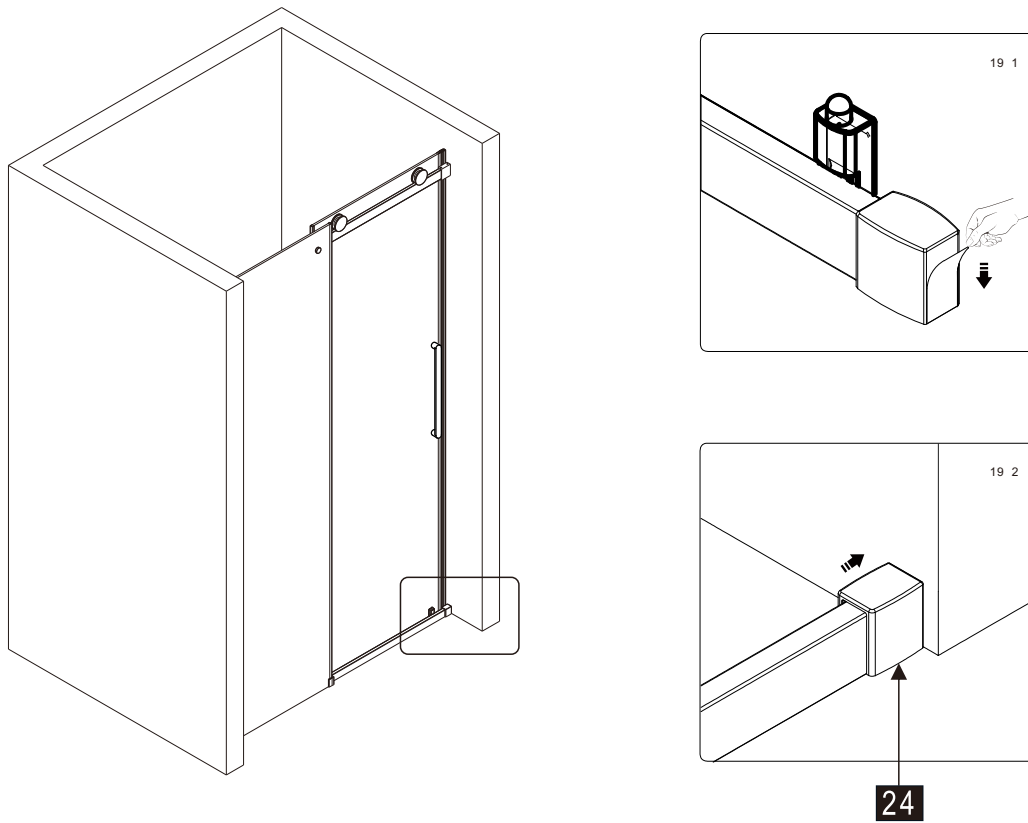


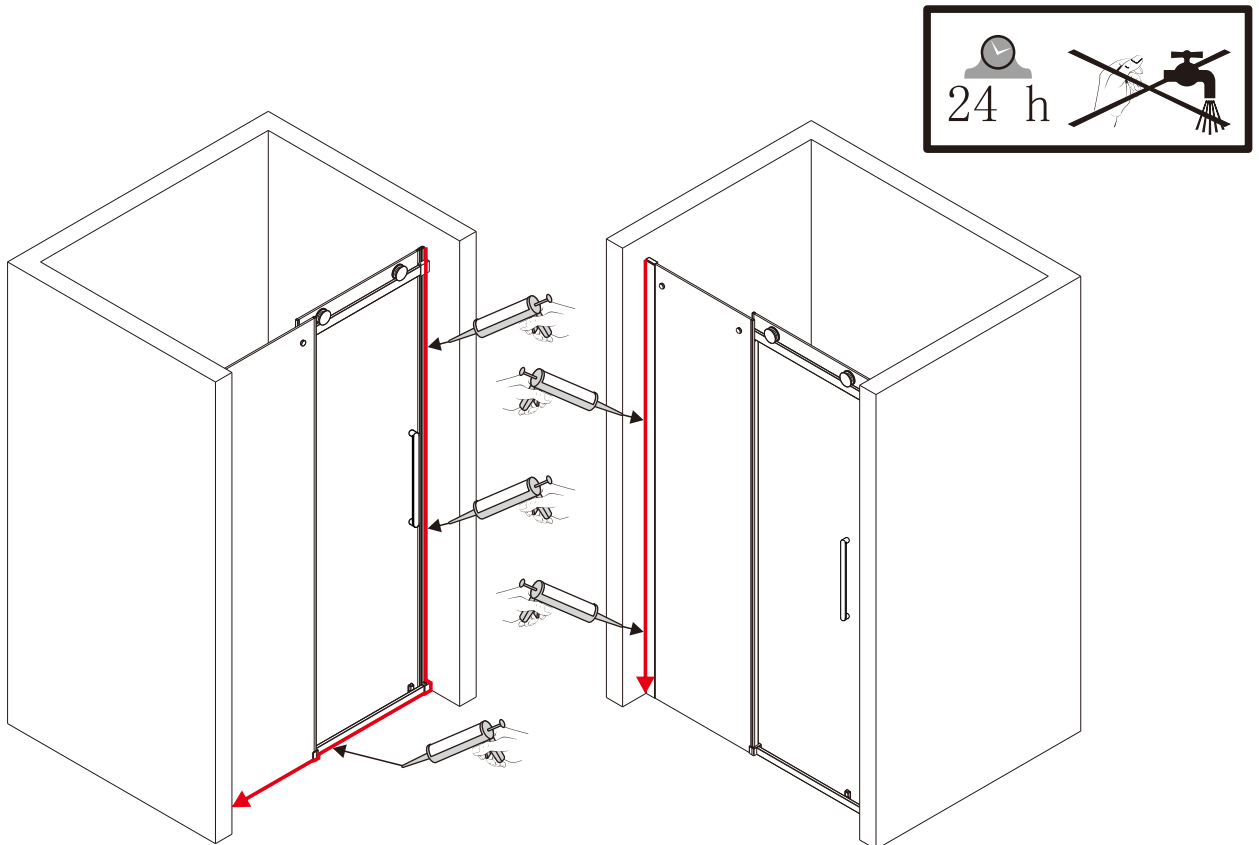
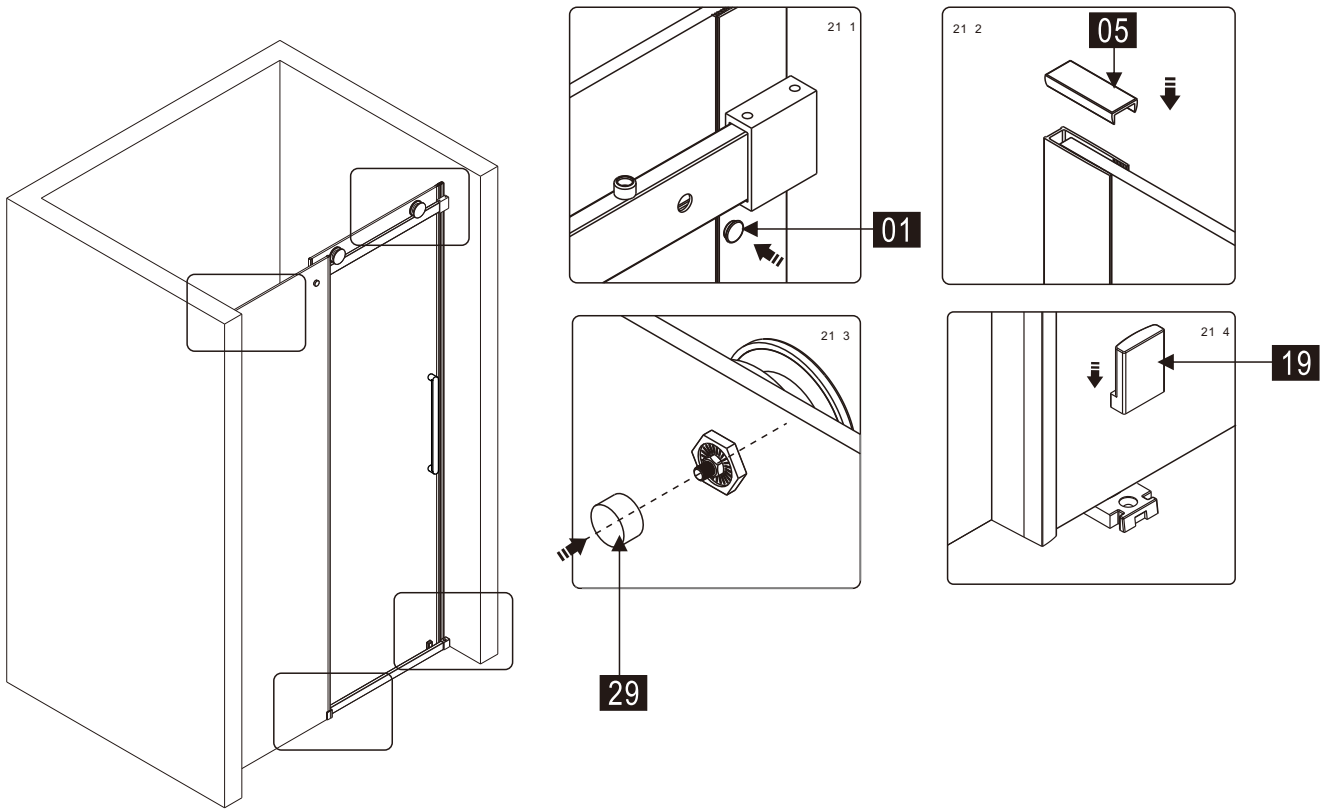


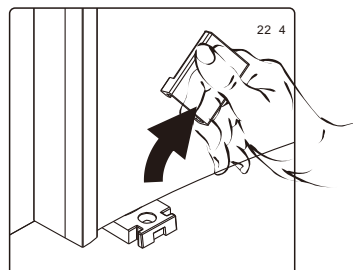
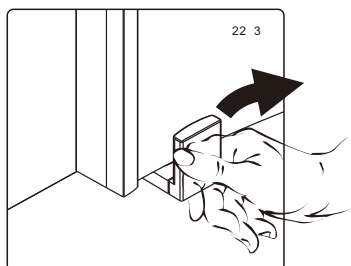
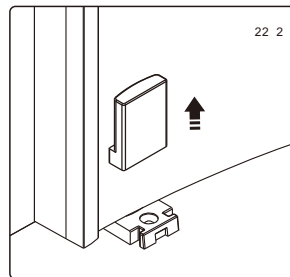
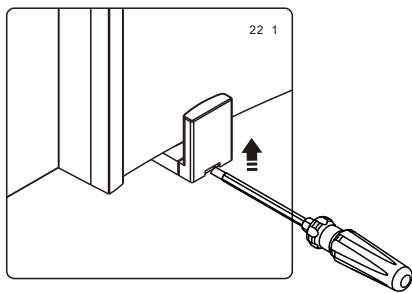
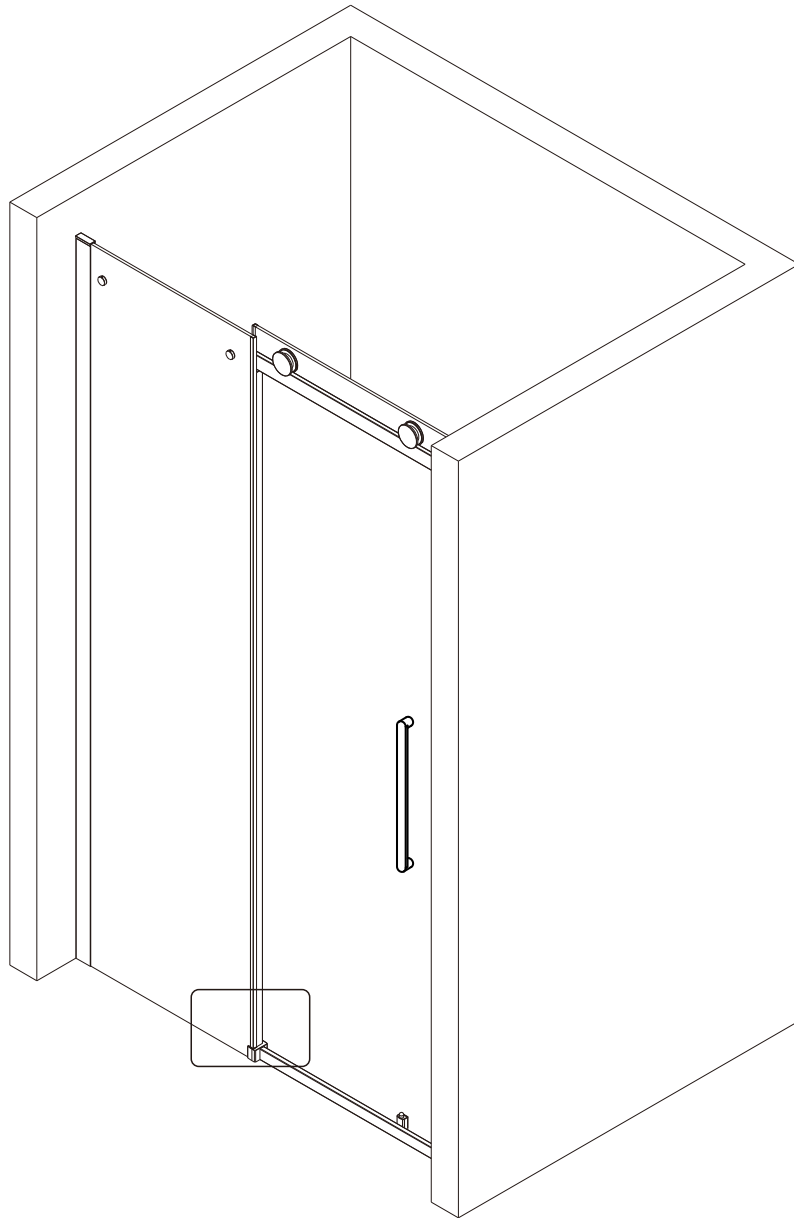


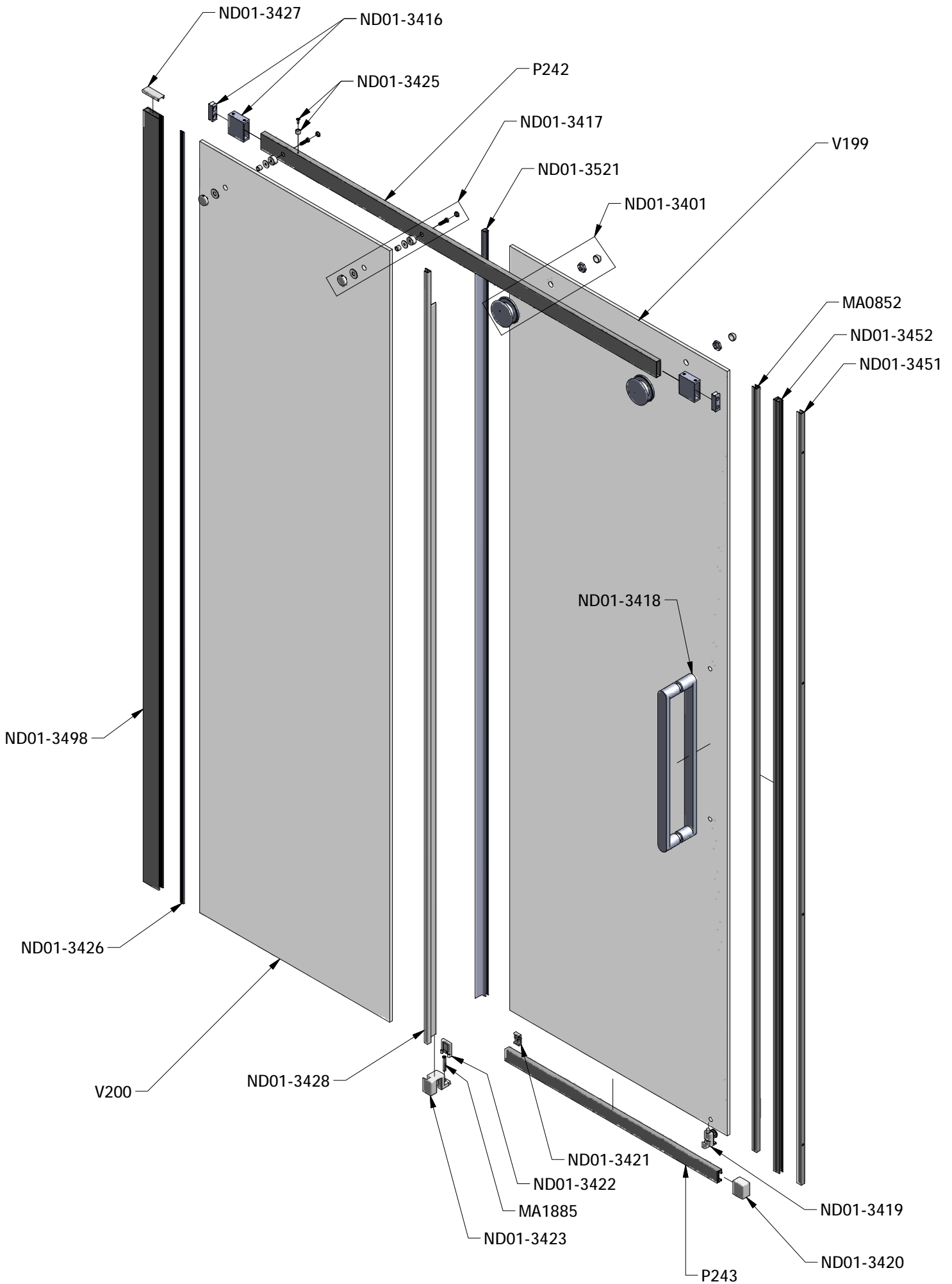












V199	1200	brillant/transparent	MA6378
	1400		MA6379
V200	1200	brillant/transparent	MA6906
	1400		MA6907
P242	1200	brillant	ND01-3499
	1400		ND01-3500
P243	1200	brillant	ND01-3501
	1400		ND01-3502