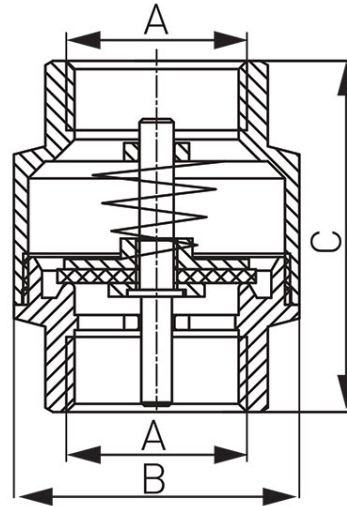






Code: **ZZM**

Check valve with brass locking element

<https://www.ferrocompany.com/product-3627-ZZM.html>



- NICKEL FREE 2018 - The surface of the valve in contact with water is not nickle-plated
- Utility Valves:
 - water

Code	Size of connectors	A	B [mm]	C [mm]				
ZZM1	1/2"	G1/2	35,5	46,8	30	270	ZZM1W	ZZM1E
ZZM2	3/4"	G3/4	41,7	51,4	20	180	ZZM2W	ZZM2E
ZZM3	1"	G1	47,2	59,5	10	120	ZZM3W	ZZM3E
ZZM4	1 1/4"	G1 1/4	59,3	64,5	6	72	ZZM4W	ZZM4E
ZZM5	1 1/2"	G1 1/2	67,6	73,3	5	45	ZZM5W	-
ZZM6	2"	G2	83,7	80,2	4	24	ZZM6W	-

*  - Product in individual packaging with EAN code enabling retail sale.

* E - Products on euro-slot with barcode enabling retail sale.