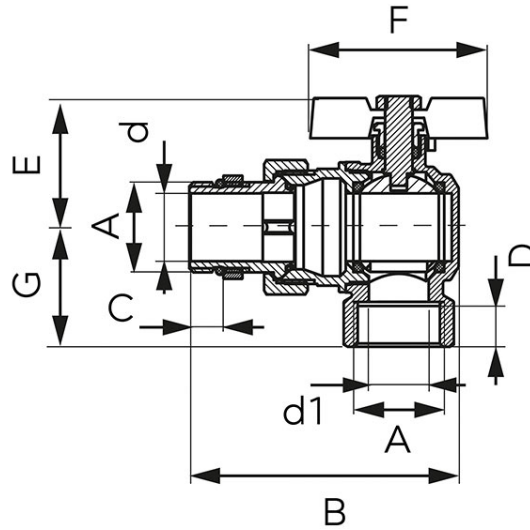


Code: **KFPS3A**

F-Power - angle ball valve

<https://www.ferrocompany.com/product-6227-KFPS3A.html>



- warranty: 10 years
- application: water, glycol 50%, compressed air
- female-male with union
- additional nut with a seal on the mounting thread
- with gland
- handle: butterfly
- body and ball material: brass
- material of ball and stem seals: PTFE
- nominal pressure: 30 bar (PN30)
- maximum working temperature: 120°C
- NICKEL FREE - inner surfaces are not nickel-plated
- CW617N-4MS brass - reduced lead and nickel content

Code	DN	A	d [mm]	d1 [mm]	B [mm]	C [mm]	D [mm]	E [mm]	F [mm]	G [mm]	Kvs [m3/h]	Individ. pack.	Collect. pack.
KFPS3A	25	G1	25	22	99	12,5	16,5	47,6	65	44	10,93	2	20